

HV,K34 Series Hand-switching Valve



HV-03

K34R-08

K34-R-L8D

K34-R-L6D

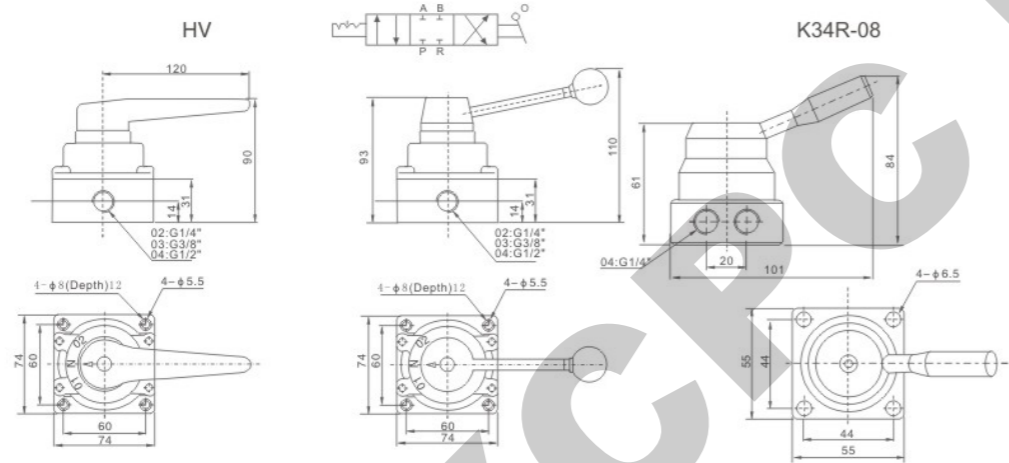
Ordering Code

HV — 02 □	K — 34 — R₈ — L8 — D
Series Code HV Series	Series Code K Series
Port Size 02:G1/4" 03:G3/8" 04:G1/2"	Position and way No. 24:Two-position Four-way 34:Three-position Four-way
Joint Pipe Type Blank:Pipe Connection Type B:Plate Connection Type	Type Code R ₈ :Hand-switching Valve
	Port Size L6:G1/8" L8:G1/4"
	Base Joint

Specification

Model	HV-02	HV-03	HV-04	K34R ₈ -L6	K34R ₈ -L8
Working Medium	40 Micron Filtered Air				
Effective Sectional Area	30mm ² (cv+1.68)			18mm ² (cv+1.00)	
Port Size	G1/4"	G3/8"	G1/2"	G1/8"	G1/4"
Working-pressure Range	0~0.8MPa				
Operating Temperature Range	0~60°C				

Overall Dimensions



4HV Series Hand-switching Valve



Ordering Code

4HV — 230 — 08 — T
Series Code 4HV Series
Position and way No 230: Three-position Four-way 330: Three-position Four-way
Port Size 08: G1/4" 10: G3/8" 15: G1/2"
Install Type Blank: Body of Valve Install T: Panel Install

TSV Series Hand-pull Valve



TSV86522-M

TSV98322-M

Ordering Code

TSV86 — 52 — 2 — M	TSV98 — 32 — 2 — M
Specification Code Hand-pull Valve	Specification Code Hand-pull Valve
Position and Way NO. Two-position Five-way	Position and Way NO. Two-position Three-way
Port Size 1:G1/8" 2:G1/4"	Port Size 1:G1/8" 2:G1/4"
Type Code M:Machinery Locking Type S:Spring Return Type	Type Code M:Machinery Locking Type S:Spring Return Type

Specification

Model	TSV86522M/S	TSV98322M/S
Working Medium	40 Micron Filtered Air	
Motion Pattern	Direct Drive Type	
Effective Sectional Area	18mm ² (CV=1.00)	
Port Size	G1/4"	
Working-pressure Range	0~1.0MPa	
Operating Temperature Range	0~60°C	

Overall Dimensions

