

4F、FV Series Foot Valve



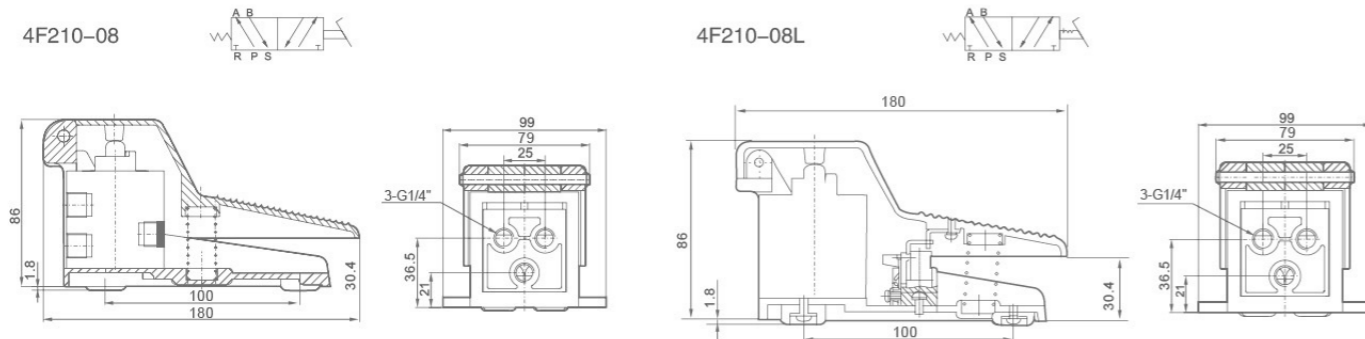
Ordering Code

4F	—	2		10	—	08	—			FV	—	320
Specification Code		Series Code		Number of Places		Port Size		Type Code		Specification Code		Position and way No
4F:Two-position Five-way Foot Valve		2:200 Series		10:Single-head Double-position		08:G1/4"		Blank:Standard Type L:With Lock G:With Cover LG:With Lock And Cover		FV:Foot Valve		320:Two-position Three-way 420:Two-position Four-way

Specification

Model	4F210-06	4F210-08L	4F210-08G	4F210-08LG	FV420	FV320
Working Medium	40 Micron Filtered Air					
Position and Way Number	Two-position Five-way				Two-position Four-way	Two-position Three-way
Motion Patten	Direct Drive Type					
Port Size	Air Inlet=Air Outlet=Exhaust=G1/4"				Air Inlet=Air Outlet=G1/4" Exhaust=G1/8"	
Working-pressure Range	0.15~0.9MPa					
Operating Temperature Range	0~60°C					

Overall Dimensions



4F、FV Series Foot Valve

Overall Dimensions

